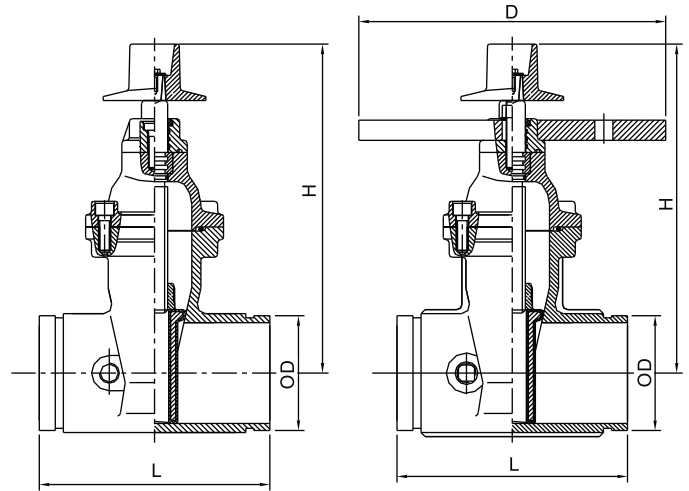


Schematic Drawing



Size: 2.5\" & 3"

Size: 4\" & 12"

Features

- Complies with AWWA C515 Standard
- 4" to 12" Size provided with indicator post plate, other sizes - plate provided only when specified at time or order
- Triple O-rings stem seal
- NPT plug on body
- Grooved end to AWWA C606 standard or metric dimensions
- 300PSI Working pressure
- -10°C to 82°C Working temperature
- Corrosion protection - Fusion bonded epoxy coated interior and exterior to AWWA C550 standard

Material Specification

Part Name	Material	ASTM Spec.
Body	Ductile iron	A536 65-45-12
Wedge	Ductile iron	EPDM Encapsulated
Wedge nut	Bronze	B62 C83600
Stem	Stainless steel	AISI 420
Bonnet	Ductile iron	A536 65-45-12
Gasket	Rubber	EPDM
Packing	Graphite	Commercial
Gland	Ductile iron	A536 65-45-12
Thrust Collar	Brass	C67400
O-ring	Rubber	EPDM
Post flange	Ductile iron	A536 65-45-12
Operating nut	Ductile iron	A536 65-45-12
NPT Plug	Malleable iron	Commercial
Post flange bolt	Stainless steel	AISI 316
Bonnet bolt	Carbon steel	A307 B

Notes:

-Design and material are subject to change without notice.

Dimensions (mm/inch)

Size	2.5"		3"		4"		5"		6"		8"		10"		12"	
	mm	inch	mm	inch	mm	inch	mm	inch	mm	inch	mm	inch	mm	inch	mm	inch
OD	73	2 7/8	88.9	3 1/2	114.3	4 1/2	139.7	5 1/2	165.1	6 1/2	219.1	8 5/8	273	10 3/4	323.9	12 3/4
	76.1	3					141.3	6 1/16	168.3	6 5/8						
L	190.5	7 1/2	203	8	229	9	254	10	267	10 1/2	292	11 1/2	330	13	356	14
H (Open)	415	16 5/8	480	18 7/8	550	21 5/8	655	25 4/5	740	29 1/8	930	36 5/8	1130	44 1/2	1320	52
H (Close)	350	13 3/4	400	15 3/4	450	17 3/4	530	20 7/8	590	23 3/4	730	28 3/4	880	34 3/4	1020	40 1/2
D	184	7 1/4	254	10	254	10	305	12	305	12	356	14	445	17 1/2	445	17 1/2
Weight (kg)	13.3		17.5		28		40.5		43.5		68		113		153	